

VALVES & ACCESSORIES



VALVES 273

TON VALVES 276

TON VALVES KIT 277

MINI VALVES 278

QUADRA VALVES 279

DISTANT VALVES 280

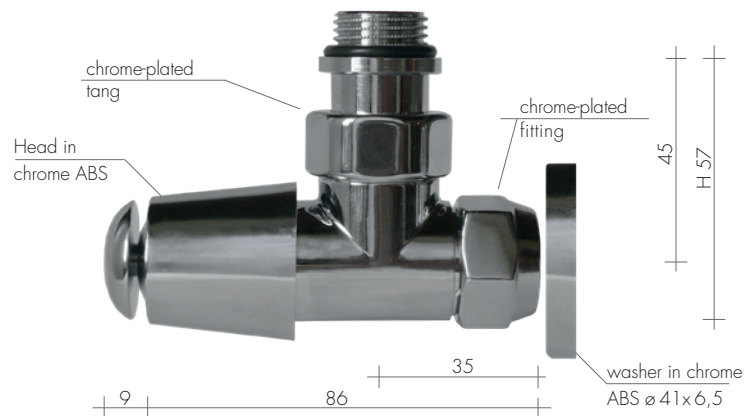
ACCESSORIES 282

SPECIAL VERSIONS 284

FITTINGS 286



BREM proposes the substitution of the traditional valves with one type of valve, which can also be used as lock-shield.



- Brem valves are complete with:
- chrome-plated o-ring tang ($\varnothing 3/8'' - 1/2''$)
 - chrome-plated fitting with o-ring
 - chrome-plated round washer ($\varnothing 41 \times 6,5 \text{ mm}$)
 - thermostatic head (for thermostatic valves)

On demand: stainless steel pipe cover to be cut to right size

VALVES COMPONENTS

CHROME-PLATED O-RING TANG

$\varnothing 3/8'' - 1/2''$

to connect to the radiator



1/2" Fitting Art. CVL12 8,50€
3/8" Fitting Art. CVL38 8,50€

CHROME-PLATED FITTINGS (24F19)

to connect to the system:



Multilayer fittings $\varnothing 10-14, 12-16, 13-18, 14-18, 16-20$ Art. RM.. 8,60€



Copper fittings $\varnothing 10-12-14-15-16-18$
Art. RR..(R10 - R12 - R...) 6,20€

VALVE FITTING KIT (Includes 3 fittings)

Fitting for multilayer $\varnothing 16$ and inserts for copper tube $\varnothing 12$ and $\varnothing 14$ Art. RK 7,50



Fitting with inserts for multilayer $\varnothing 16$



inserts for copper $\varnothing 14$



inserts for copper $\varnothing 12$

CHROME-PLATED ECCENTRICS

Adaptors to be mounted between valve and radiator to vary tapping centre from 1 to 6cm.

Art. EC1 1 cm eccentric 12,10€
Art. EC2 2 cm eccentric 16,50€
Art. EC3 3 cm eccentric 18,90€

Specify when ordering if 1/2" or 3/8"

VALVES ACCESSORIES

ROUND WASHER chrome-plated $\varnothing 41 \text{ mm}$
for tubes $\varnothing 10 - 12 - 14 - 15 - 16 - 18 - 1/2''$
(indicate \varnothing) Art. RC.. 3,00€



TUBES COVERS for fittings



10 cm long, polished stainless steel tube: slide over pipes for fitting $\varnothing \leq 16 \text{ mm}$ and cut in half to size using the round washer to cover the cut.

inner $\varnothing 15 \text{ mm}$ Art. CA15 9,40€
inner $\varnothing 16 \text{ mm}$ Art. CA16 9,40€
for valves KIT Art. CA18 10,80€

SINGLE TUBE COVERING KIT

tapping centres 38mm, 5x10cm squared covering, and n° 2 tubes $\varnothing 16$ or $\varnothing 20 L=7 \text{ cm}$

Art. KM16 59,20€
Art. KM20 61,80€



THERMOSTATIC CHROME-PLATED HEAD

Thermostatic head with liquid sensor (only for valves with thermostatic option)

Art. STC 46,20€

Quotation:
Thermostatic head with special finishes



SPECIAL FINISHES

VALVES and BRACKETS

PRICE LIST INCREASE
1.8.2021 **+6%**

TON
VALVE



GILDED LEAF FINISH

TON and QUADRA valve in gilded leaf.
O-ring tang \varnothing 1/2" or 3/8", multilayer fitting \varnothing 16,
copper \varnothing 12,14 (other diameters by estimate) and
round washer, all in gold finish

Extra each 81,70€

BRACKET with GILDED LEAF finish
Art. B15/35/70 - Art. EOS - Art. M4/M8
Extra each 60,00€

QUADRA
VALVE



SILVER LEAF FINISH

TON and QUADRA valve in silver leaf.
O-ring tang \varnothing 1/2" or 3/8", multilayer fitting \varnothing 16,
copper \varnothing 12,14 (other diameters by estimate) and
round washer, all in brushed nickel finish

Extra each 81,70€

BRACKET with SILVER LEAF finish
Art. B15/35/70 - Art. EOS - Art. M4/M8
Extra each 60,00€



GOLDEN FINISH

TON and QUADRA valve, oring tang \varnothing 1/2"
or 3/8", fitting (multilayer \varnothing 16, copper \varnothing 12,14),
golden finish round washer
(variable price)

Extra each 65,50€

BRACKET with golden BR 0019
Art. B15/35/70 - Art. EOS - Art. M4/M8
Extra each 20,70€



BRONZE FINISH

TON and QUADRA valve, oring tang \varnothing 1/2" or
3/8" and fitting (multilayer \varnothing 16, copper \varnothing 12,14),
in bronze finish and round washer in bronze color

Extra each 29,30€

BRACKET with bronze BR 0033
Art. B15/35/70 - Art. EOS - Art. M4/M8
Extra each 20,70€



BRUSHED NICKEL FINISH

TON and QUADRA valve, oring tang \varnothing 1/2" or
3/8", fitting (multilayer \varnothing 16, copper \varnothing 12,14) and
round washer, all in brushed nickel finish

Extra each 30,90€

BRACKET with silver BR 0002
Art. B15/35/70 - Art. EOS - Art. M4/M8
Extra each 20,70€



CHROME-PLATED TON VALVE

PRICE LIST INCREASE
1.8.2021+6%

ANGLED TON VALVE
Easy control valve usable also as lock-shield,
complete with fitting and round washer



Art. VSM.. 51,50€
Art. VSR.. 49,50€
Art. VSF 47,70€

STRAIGHT TON VALVE
Easy control valve usable also as lock-shield,
complete with fitting and round washer



Art. VDM.. 56,80€
Art. VDR.. 54,80€
Art. VDF 52,70€

REVERSE TON VALVE
Easy control valve usable also as lock-shield,
complete with fitting and round washer



Art. VRM.. 51,50€
Art. VRR.. 49,50€
Art. VRF 47,70€

SIDE CONTROL TON VALVE
Easy control valve complete
with fitting and round washer
Indicate always S or D version



Art. L..M.. 57,30€
Art. L..R.. 55,30€
Art. L..F 52,80€



TON VALVE
Headwheel ø 28-34 / 95 / H 57mm

VALVES LEGEND:

VS.. Angled TON FITTINGS for tubes:
VD.. Straight TON M Multilayer
VR.. Reverse TON R Copper
L.. Side control TON F Steel ø 1/2"
VM.. Single tube
T.. Thermostatic valve INDICATE ø OF TUBE

Angled TON Valve Copper fitting
How to order: ART. VSR14—tube ø14

THERMOSTATIC ANGLED TON VALVE
Valve with thermostatic head,
complete with fitting and round washer



Art. TSM.. 97,70€
Art. TSR.. 95,70€
Art. TSF 93,00€

THERMOSTATIC STRAIGHT TON VALVE
complete with fitting and round washer



Art. TDM.. 103,00€
Art. TDR.. 101,00€
Art. TDF 97,20€

THERMOSTATIC REVERSE TON VALVE
Easy control valve complete with fitting and round
washer



Art. TRM.. 97,70€
Art. TRR.. 95,70€
Art. TRF 93,00€

DUAL TUBE left VALVE tapp. centres 50mm
valve and lock shield, delivery on the left, complete
with fittings and round washers.



Art. VBM.. 132,90€
Art. VBR.. 128,80€

TUBES COVERS for fittings

10 cm long, polished stainless steel tube: slide
over pipes for fitting ø ≤ 16 mm and cut in half
to size using the rose washer to cover the cut
inner ø15 mm Art. CA15 9,40€
inner ø16 mm Art. CA16 9,40€



**THERMOSTATIC SIDE CONTROL left TON
VALVE**

Valve with thermostatic head
complete with fitting and
round washer.
On request, D right version.



Art. LTSM.. 103,60€ S or D
Art. LTSR.. 101,50€
Art. LTSF 99,00€

Art. LTD.. ..



SINGLE-TUBE VALVE tapping centres 38mm
Easy control valve supplied with ø10mm and
45 cm probe, and flow diverter system to
reverse delivery and return.

probe cm 70 7,50€
probe cm100 10,40€



Art. VMM.. 136,80€
Art. VMR.. 132,70€

SINGLE TUBE COVERING KIT tapping centres 38mm
100x50mm squared covering, and n° 2 tubes
(16 or 20mm ø, 70mm long).

Art. KM16 53,40€
Art. KM20 55,70€



SINGLE TUBE THERMOSTATIC VALVE
Valve with 38mm tapping centres, thermostatic head
and fittings.



Art. TMM.. 183,10€
Art. TMR.. 179,00€


TON VALVES KIT

TON valves KIT



 Fitting with inserts
for multilayer ø16

 inserts for
copper ø 14

 inserts for
copper ø 12

ANGLED TON VALVES KIT

- n°2 Angled valves with O-ring Tangs
- n°2 Fittings (multilayer ø16, copper ø12, 14)
- n°2 Round washers

Art. KVS 119,20€

ANGLED TON VALVES KIT with THERMOSTATIC head

Art. KTS 165,50€

TON KIT Thermostatic head



STRAIGHT TON VALVES KIT

- n°2 Straight valves with O-ring Tangs
- n°2 Fittings (multilayer ø16, copper ø12, 14)
- n°2 Round washers ø

Art. KVD 129,80€

STRAIGHT TON VALVES KIT with THERMOSTATIC head

Art. KTD 176,00€



REVERSE TON VALVES KIT

- n°2 Reverse valves with O-ring Tangs
- n°2 Fittings (multilayer ø16, copper ø12, 14)
- n°2 Round washers

Art. KVR 119,20€

REVERSE TON VALVES KIT with THERMOSTATIC head

Art. KTR 165,50€



SIDE CONTROL TON VALVES KIT

- n°2 Side control left and right valves with tangs
- n°2 Fittings (multilayer ø16, copper ø12, 14)
- n°2 Round washers

Art. KVL 130,90€

SIDE CONTROL TON VALVES KIT with THERMOSTATIC head

Art. KTL 177,10€

SIDE CONTROL TON nickel-plated page 99, 141



SIDE CONTROL TON VALVES KIT with MIXED right ø 1/2" valve for Electric Heating Element

- n°1 Side control left valve with tangs
- n°1 Side control MIXED valve with tangs
- n°2 Fittings (multilayer ø16, copper ø12, 14)
- n°2 Round washers

Art. KLXD 163,70€

SIDE Control TON valves KIT with Thermostatic head, MIXED valve

Art. KTLXD 210,00€



SINGLE-TUBE VALVE KIT tapping centres 38mm Art. KVM 153,00€

KIT with fittings for multilayer
ø16 and copper ø12, 14

probe cm 70 8,40€
probe cm 100 11,60€

SINGLE TUBE THERMOSTATIC VALVE KIT Art. KTM 199,30€



TUBES COVERS for KIT

10 cm long, polished stainless steel tube: slide
over pipes for fitting ø ≤16 mm and cut in half
to size using the rose washer to cover the cut
for VALVES KIT



Art. CA18 10,80€

DUAL TUBE left VALVE KIT tapp. centres 50mm Art. KVB 149,10€

KIT with washers and
fittings for multilayer ø16
and copper tubes ø12, 14

DUAL TUBE THERMOSTATIC left VALVE KIT Art. KTB 194,40€



CHROME-PLATED MINI VALVE

PRICE LIST INCREASE
1.8.2021 +6%



MINI valves KIT

ANGLED MINI VALVES KIT

- n°2 Angled valves with 2 O-ring Tangs
- n°2 Fittings (multilayer ø16, copper ø12, 14)
- n°2 Round washers

Art. KMS 107,80€

On request:

Polished stainless tube cover (to be cut)

STRAIGHT MINI VALVES KIT

- n°2 Straight valves with 2 O-ring Tangs
- n°2 Fittings (multilayer ø16, copper ø12, 14)
- n°2 Round washers

Art. KMD 119,00€

On request:

Polished stainless tube cover (to be cut)

MINI Model

ANGLED MINI VALVE

Easy control valve usable also as lock-shield, complete with fitting and round washer.



Art. MSM.. 45,80€
Art. MSR.. 43,70€

STRAIGHT MINI VALVE

Easy control valve usable also as lock-shield, complete with fitting and round washer.



Art. MDM.. 51,40€
Art. MDR.. 49,40€



MINI VALVE

Headwheel ø 24 / 71,5 / H 57mm

MINI valve: harmonious combination of essential design, very small size and easy control.

MS.. Angled Mini
MD.. Straight Mini

FITTINGS for Tubes:
M Multilayer
R Copper

INDICATE TUBE Ø

Angled MINI valve Multilayer fitting

How to order: ART. MS M12-16 ø12-16 tube

TUBES COVERS for fittings



Ø 18mm, 10 cm long, polished stainless steel tube: slide over pipes for fitting (ø 12, 14, 16 mm) and cut in half to size using the rose washer with adapters to cover the cut.

inner ø15 mm

Art. CA15 9,40€

inner ø16 mm

Art. CA16 9,40€

for valves KIT

Art. CA18 10,80€

WHITE MINI VALVE



Angled WHITE MINI valves KIT

ANGLED WHITE MINI VALVES KIT

- n°2 Standard white MINI valves complete with chrome-plated O-ring Tangs, round washers and fittings (multilayer ø16, copper ø12, 14)

Art. KMSW 107,80€ Ral 9016

Angled WHITE MINI

ANGLED WHITE MINI VALVE

Valve usable also as lock-shield, complete with chrome-plated O-ring Tang, fitting and round washer.

Art. MSBM.. 45,80€ Ral 9016
Art. MSBR.. 43,70€ Ral 9016



ANGLED WHITE MINI VALVE

MINI valve is provided in standard white (chr.-plated O-ring Tang, fitting and round washer)



QUADRA Valves KIT

ANGLED QUADRA VALVES KIT

- n°2 Angled valves
- n°2 O-ring Tangs (3/8" or 1/2")
- n°2 Fittings (multilayer ø16, copper ø12,14)
- n°2 Round washers

Art. KQS 156,60€

STRAIGHT QUADRA VALVES KIT

- n°2 Straight valves
- n°2 O-ring Tangs (3/8" or 1/2")
- n°2 Fittings (multilayer ø16, copper ø12,14)
- n°2 Round washers

Art. KQD 165,20€

REVERSE QUADRA VALVES KIT

- n°2 reverse valves
- n°2 O-ring Tangs (3/8" or 1/2")
- n°2 Fittings (multilayer ø16, copper ø12,14)
- n°2 Round washers

Art. KQR 156,60€

SIDE control QUADRA VALVES KIT

- n°2 Side control valves (right and left)
- n°2 O-ring Tangs (3/8" or 1/2")
- n°2 Fittings (multilayer ø16, copper ø12,14)
- n°2 Round washers

Art. KQL 166,30€

QUADRA Model

ANGLED QUADRA VALVE

Easy control valve usable also as lock-shield, complete with fitting and round washer.



Art. QSM.. 70,20€
Art. QSR.. 68,10€

STRAIGHT QUADRA VALVE

Easy control valve usable also as lock-shield, complete with fitting and round washer



Art. QDM.. 74,50€
Art. QDR.. 72,50€

REVERSE QUADRA VALVE

Easy control valve usable also as lock-shield, complete with fitting and round washer



Art. QRM.. 70,20€
Art. QRR.. 68,10€

SIDE control QUADRA VALVE

Easy control valve complete with fitting and round washer. Always state **S** or **D** version.



Art. QL..M.. 75,10€
Art. QL..R.. 73,00€



QUADRA VALVE

Headwheel 26x26 / 86 / H 57mm

QUADRA valve: refined geometrical design to match with other squared shapes.

QS.. QUADRA Angled FITTINGS for tubes
QD.. QUADRA Straight M Multilayer
QR.. QUADRA Reverse R Copper
QL.. QUADRA Side contrdNDICATE tube ø

Reverse QUADRA valve → Copper fitting
How to order: ART. QR R14 tube ø14

MIXED QUADRA VALVE only ø1/2"

for Electric Heating Element
Easy control valve, complete with fitting and round washer. It can be used together with angled or side control valves



Art. QLXDM.. 105,20€
Art. QLXDR.. 103,10€

D right

COLORED QUADRA VALVE



COLORED QUADRA Valves KIT

COLORED QUADRA VALVES KIT

- n°2 QUADRA valves in the same BREM color of radiator, complete with chrome-plated O-ring Tangs, fittings and round washers (with inserts for multilayer ø16 and copper ø12,14).

ANGLED - REVERSE - SIDE CONTROL model
EXTRA FOR COLOR (KIT) 46,40€

COLORED QUADRA Model

COLORED QUADRA VALVE

Valve in the same BREM color of radiator, complete with chrome-plated O-ring Tang, fitting and round washer (with inserts for multilayer ø16 and copper ø12,14).

ANGLED - REVERSE - SIDE CONTROL model
EXTRA FOR COLOR n. 1 piece 34,60€
n. 2 pieces 46,40€



QUADRA COLORED VALVE

ANGLED - REVERSE - SIDE CONTROL
provided in one color of BREM list
(chrome-plated O-ring Tangs, fittings and washer)

.. hiding valves under the radiator



TON valves

Wall recessed $\varnothing 1/2"$ TON valves assembly, equipped with handles to control remotely the radiator (up to 6m), is supplied with fittings at rear (Art.REM), and round washers.



Thermostatic TON valves

REMOTE TON VALVES ASSEMBLY wall recessed with 2 valves, 2 round washers and 2 fittings

MULTILAYER fittings indicate \varnothing of tube
Art. VGM.. 137,40€

COPPER fittings indicate \varnothing of tube
Art. VGR.. 135,30€

REMOTE TON VALVES ASSEMBLY with THERMOSTATIC HEAD

Art. VGTM.. 183,60€

Art. VGTR.. 181,50€



QUADRA valve/lockshield

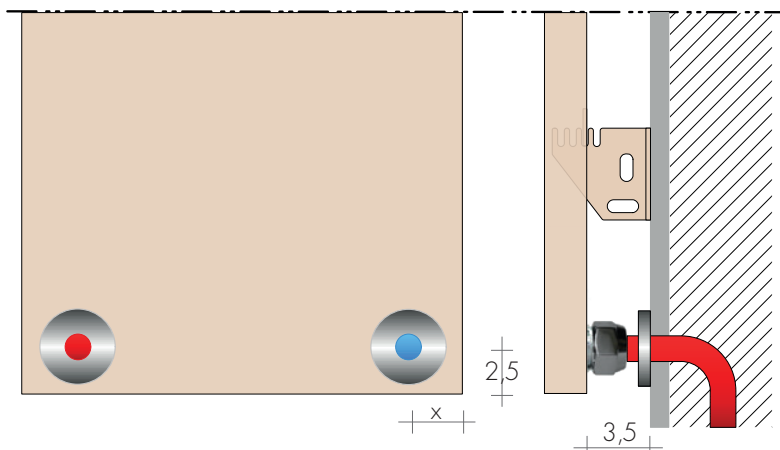
Wall recessed $\varnothing 1/2"$ QUADRA valves assembly, equipped with handles to control remotely the radiator (up to 6m), is supplied with fittings at rear (Art.REM), and round washers.

REMOTE QUADRA VALVES ASSEMBLY wall recessed with 2 valves, 2 round washers and 2 fittings

MULTILAYER fittings indicate \varnothing of tube
Art. QGM.. 151,50€

COPPER fittings indicate \varnothing of tube
Art. QGR.. 149,50€

REMOTE WALL RECESSED VALVES ASSEMBLY with FITTINGS AT REAR OF RADIATOR



REMOTE WALL RECESSED VALVES ASSEMBLY AND SPECIAL FITTINGS 24/19 AT THE REAR OF RADIATOR (up to 6m)



REMOTE TON VALVES ASSEMBLY WITH THERMOSTATIC HEAD

