

SBARRA-UP

Design Luigi Brembilla

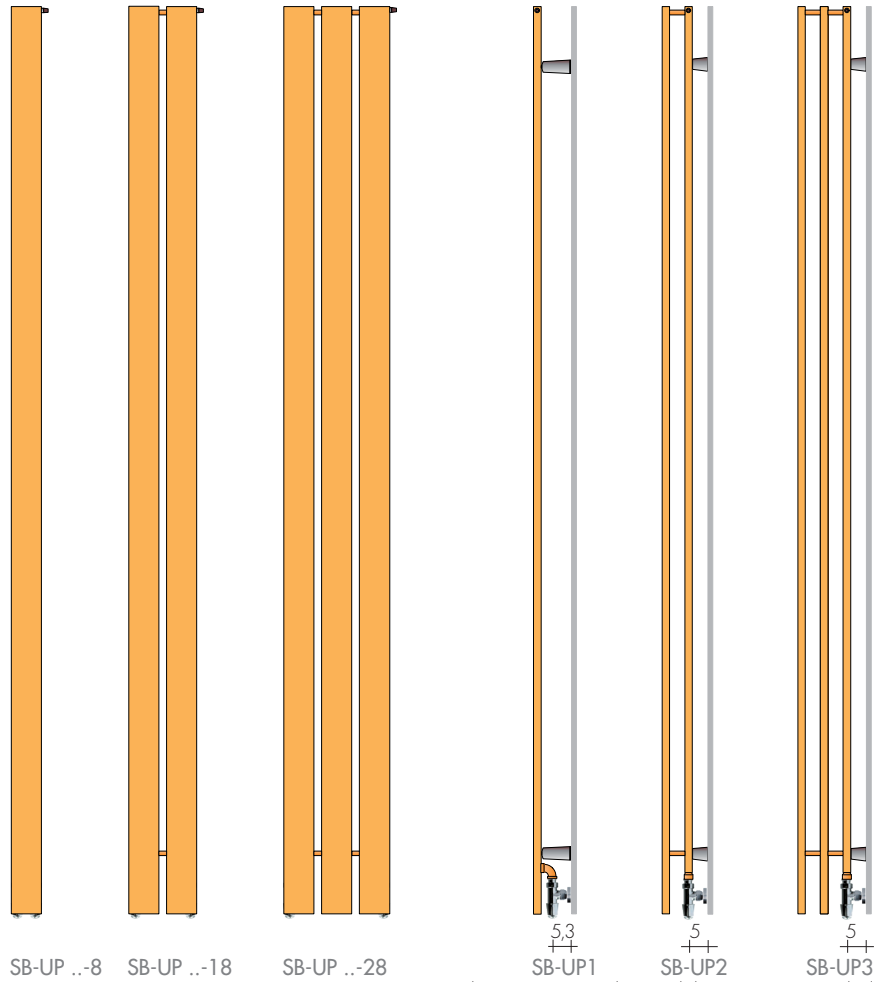
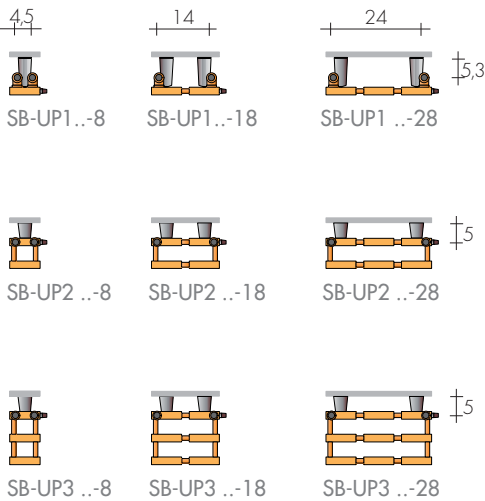
The SBARRA-UP radiator is ideal for those spaces where every centimetre counts. The SBARRA-UP can be placed wherever

you want, has great heat output and can either blend into the background or stand out, depending on the colour. What's more,

the elements can be overlapped and/or multiplied by a factor of 3 to get a particularly striking effect.

DIMENSIONS

Widths: 8 / 18 / 28 cm
 Heights: 180 / 200 / 220 cm
 Depths: 4/8/14 cm
 Depth from wall: 10/12/18 cm



MOD.	L cm	EN 442 Watt Δt 50 K		
		8	18	28
H cm	▲▼ cm	4,5	14	24
SB-UP1 180		197w	378w	543w
SB-UP2 180		323w	619w	884w
SB-UP3 180		449w	861w	1238w
SB-UP1 200		219w	420w	603w
SB-UP2 200		359w	688w	982w
SB-UP3 200		498w	957w	1376w
SB-UP1 220		240w	462w	664w
SB-UP2 220		394w	757w	1081w
SB-UP3 220		548w	1053w	1513w

Models with H 240 on request

HOW TO ORDER

State: model (1,2,3, for different depths), height and length in cm; connection and color eg.: SB-UP3 200-18, EG \varnothing 1/2", SB 5010

STANDARD PRODUCTION

White "sablé" SB9010 paintwork-white brackets
 Tolerance \pm 3mm - Air vent \varnothing 1/8"

PRODUCTION ON REQUEST

Paintwork to Brem color list with chrome-plated brackets

+15/35%

STANDARD CONNECTION

EG \varnothing 1/2"
 Fittings for reverse valves

